



Full HD LED monitor with VA panel and a USB hub

The ProLite X2283HSU-B1DP is an excellent 22" Full HD LED-backlit monitor with 1920 x 1080p resolution and VA panel technology guaranteeing accurate and consistent colour reproduction with wide viewing angles. Triple Input support and USB HUB ensure compatibility with the latest installed graphics cards and embedded Notebook outputs. An affordable solution for education, local government, business and finance markets.



VA MATRIX

VA panel technology offers higher contrast, darker blacks and much better viewing angles than standard TN technology. The screen will look good no matter what angle you look at it.



FULL HD

With true 1920 x 1080p resolution your monitor is ready to display high definition images. This means you can accommodate more information on your screen; e.g. 60% more in comparison to a 1280 x 1024 monitor.

1. CARACTERÍSTICAS DE LA PANTALLA

DIAGONAL

21.5"; 54.7cm

RELACIÓN DE ASPECTO.	16 : 9
PANEL	VA LED, matte finish
RESOLUCION NATIVA	Full HD 1080p,1920 x 1080 (2.1 megapixel)
BRILLO	250 cd/m ² típico
CONTRASTE ESTÁTICO	3000 : 1 typical
CONTRASTE AVANZADO	12 000 000 : 1 ACR
TIEMPO DE RESPUESTA	5ms
VIEWING ZONE	horizontal/vertical: 178° / 178° ; right/left: 89° / 89° ; up/down: 89° / 89°
COLOR DE LA PANTALLA	16.7 million
REDUCTOR DE LUZ AZUL	sí
FLICKER FREE LED	sí
ÁREA DE VISUALIZACIÓN H X W	268.1 x 476.6 mm; 10.6" x 18.8"
PIXEL PITCH H X V	0.248 x 0.248 mm
SINCRONIZACIÓN HORIZONTAL	30 - 80kHz
VERTICAL SYNC	55 - 75Hz
SINCRONIZACIÓN	Separate Sync

2. INTERFACES / CONECTORES / CONTROLADORES

CONECTOR DE ENTRADA ANALÓGICA	VGA
CONECTOR DE ENTRADA DIGITAL	DVI-D, DisplayPort
HDCP	yes
CONCENTRADOR USB	UP 1 x USB 2.0 / DOWN 2 x USB 2.0

3. CARACTERÍSTICAS

APPLE - MAC	All iiyama monitors are compatible with Apple-Macintosh computers.
PLUG & PLAY	VESA DDC2B™
CONTROLES	On-Screen-Display in 11 languages (EN, FR, DE, IT, PL, ES, NL, JP, Chinese, RU, CZ) and 6 front controls (Power, Menu/ Select, Scroll up/ Volume, Scroll down/ ECO, Exit, Auto)
LOS CONTROLES DE USUARIO	auto adjust, luminance (brightness, contrast), geometry (H. position, V. position, clock, phase), colour, OSD (H. position, V. position, OSD time), language, recall, miscellaneous (sharpness, DDC/CI, display information, ACR, display mode, OD, opening logo), input select, audio adjust (volume, mute, DisplayPort audio)
ALTAVOCES	2 x 1 W (Stereo)
DISPOSITIVO ANTI-ROBO	Kensington-lock™ prepared
REGULACIONES	TCO, CE, TUV-GS, VCCI-B, CU
ÁNGULO DE INCLINACIÓN	22° up; 5° down
VESA MOUNTING	100 x 100 mm
COLOR	Negro

4. ACCESORIOS

DRIVER	Windows 95 / 98 / 2000 / ME / XP / Vista / 7 / 8 / 10
ACCESORIOS INCLUIDOS	power cable, DVI-D cable, DisplayPort cable, USB cable, audio cable, stand, quick start guide, safety guide

5. GESTIÓN DE ENERGÍA

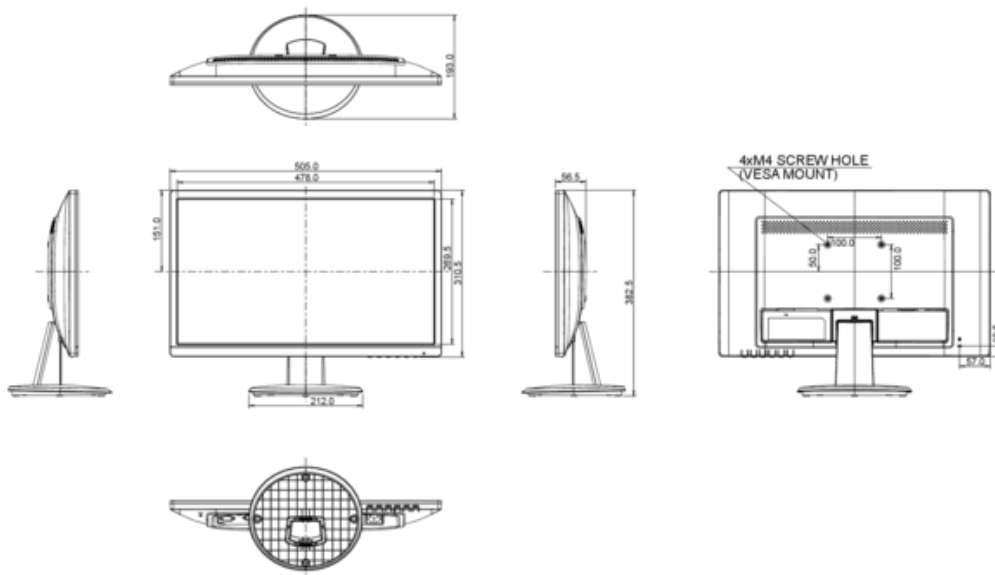
FUENTE DE ALIMENTACIÓN	AC 100 - 240 V, 50 / 60 Hz
UNIDAD DE FUENTE DE ALIMENTACIÓN	internal
CONSUMO DE ENERGÍA	19 W typical; max. 0.5 W in Power management mode
GESTIÓN DE ENERGÍA	VESA DPMS, ENERGY STAR®

6. EPEAT SILVER

EPEAT	EPEAT is a comprehensive environmental rating that helps identify greener computers and other electronic equipment. The Silver certification means the monitor meets all required criteria plus at least 50% of the optional requirements. EPEAT Silver is valid in countries where iiyama registers the product. Please visit www.epeat.net for the registration status in your country.
-------	--

7. DIMENSIONES / PESO

DIMENSIONES W X H X D	505 x 382.5 x 193 mm
PESO	2.8 kg



All trademarks and registered trademarks acknowledged. E & O E. Specification subject to change without notice. All LCD's comply with ISO-9241-307:2008 in connection with pixel defects.