



B-TECH AV MOUNTS™

**MOUNTS
UP TO VESA
600 X 400**

BT8311

PROFESSIONAL VIDEO WALL MOUNT

Designed to make video wall installations as quick and simple as possible, this modular video wall mount can be used to create unlimited video wall configurations in both landscape and portrait format. The tool-less 8 point micro-adjustment makes accurate screen alignment quick and easy. The BT8311 can also be used in conjunction with the BT8310 pop-in, pop-out video wall mount to allow easier access behind screens for maintenance.

SPECIFICATION

Recommended screen size	42" - 70" (46" - 70" in portrait)
Max load	75kg
VESA® compatibility (as standard)	200 x 200 to 400 x 400
VESA® compatibility (with included adaptors)	up to 600 x 400*
Depth (with micro-adjustment)	97.5mm (+/- 7.5mm)*
Colour	Black

*Please note using the included interface adaptor arms to mount VESA 600 x 400 screens will increase the total depth of the product by 6mm, for a total depth of 103.5mm

FEATURES

- Modular mount for unlimited wall display configurations
- Suitable for landscape or portrait screen mounting
- Can be used in conjunction with the BT8310 pop-in, pop-out video wall mount to allow access to micro-adjustment in configurations with more than two rows
- Tool-less micro-adjustments at 8 points for seamless display alignment
- Suitable for both wall or pole mounting
- Integrated cable management for a neat and tidy installation
- Screen specific wall plate spacers (available separately) dramatically shorten install times by eliminating guesswork and on-site calculations
- Safety screws help prevent unauthorised removal of screens
- Optional interface adaptors for VESA 600 x 400 fixings included as standard
- All mounting hardware included

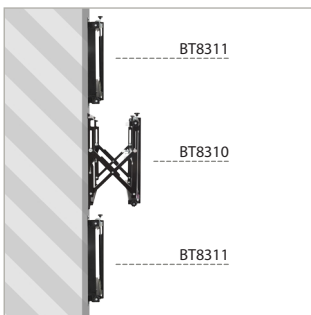


VESA
600
x
400

70"
177cm

75KG

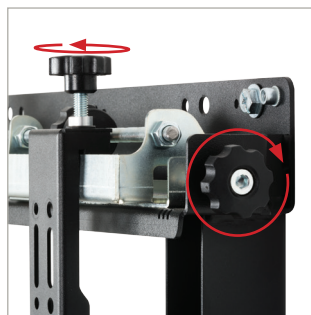
PER SCREEN



Can be used in conjunction with the BT8310 pop-in, pop-out video wall mount



Safety screws help prevent unauthorised removal of screens



Tool-less micro-adjustment at 8 points for seamless display alignment

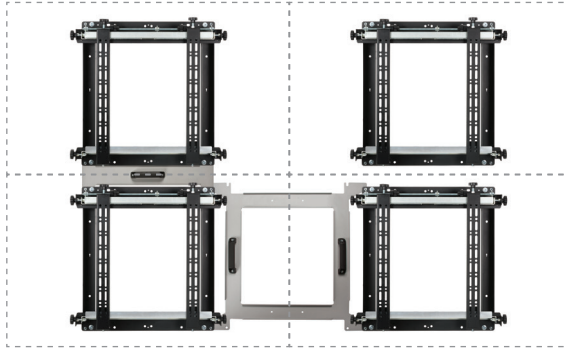


Optional interface adaptors for VESA 600 x 400 fixings included as standard

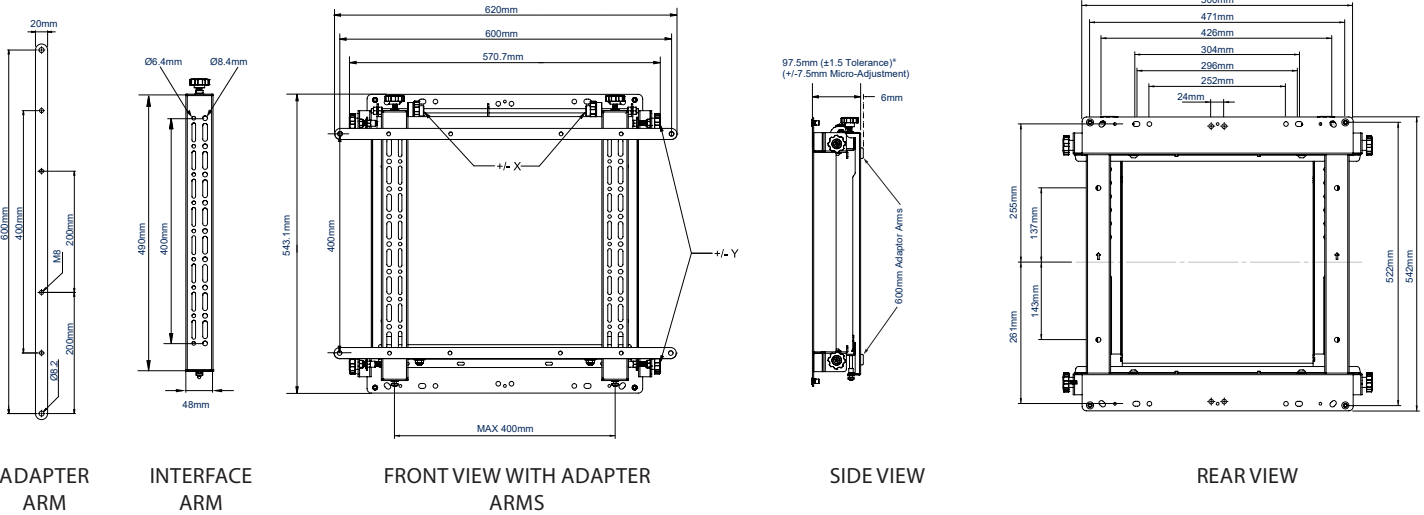
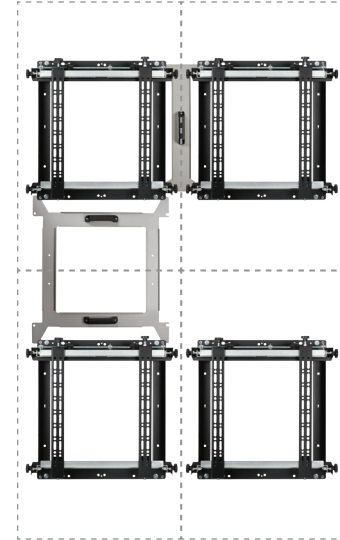
Custom Wall Plate Spacers

Wall plate spacers are available for the BT8311 and eliminate tedious alignment calculations, meaning less time is wasted through measuring and 'guesswork'. These spacers are available to order separately and are screen specific for all popular brands such as LG, Samsung, Phillips, Sharp and NEC. To find out which spacer kit is needed for a specific screen please visit www.btechavmounts.com/BT8311 or scan here

Mounting with Templates - Landscape



Mounting with Templates - Portrait



*Total depth increased to **103.5mm** (+/-7.5mm micro-adjustment) when using VESA 600 x 400 adaptors

PACKING INFORMATION

ORIGINAL DESIGN BY B-TECH - REGISTERED COMMUNITY DESIGN NO.: 002445890-000 1

COLOUR:	ORDER REF:	EAN CODE:	MASTER CARTON QTY:	INNER CARTON QTY:	MASTER CARTON WEIGHT:	MASTER CARTON CUBE
Black	BT8311/B	5019318089701	1	0	12kg	0.058cbm

RELATED PRODUCTS TO THE BT8311

<p>BT8310</p>	<p>BT7822</p>	<p>BT7841</p>	<p>BT7850</p>
----------------------	----------------------	----------------------	----------------------

Pop-In, Pop-Out Video Wall Mount for screens up to 75kg (per screen)

Heavy Duty Floor / Ceiling Mount can be used in conjunction with B-Tech poles and collars to create pole mounted solutions

50mm Accessory Collar for fixing mounts & accessories to Ø50mm poles

50mm Diameter Poles are available in a choice of 6 lengths and can be used to create multiple pole mounted solutions

© 2019 B-Tech Av Mounts. All rights reserved. The information in this specification sheet reflects the current technical specifications at the time of printing. We reserve the right to change the technical or physical specifications without prior notice. B-Tech Av Mounts is not liable for any damage caused by improper installation or use. Any reproduction or reuse of any part of this specification sheet is strictly prohibited, unless prior written permission has been granted by B-Tech Av Mounts. B-Tech Av Mounts is a registered trademark of B-Tech Av Mounts. B-Tech Av Mounts is a registered trademark of B-Tech Av Mounts.